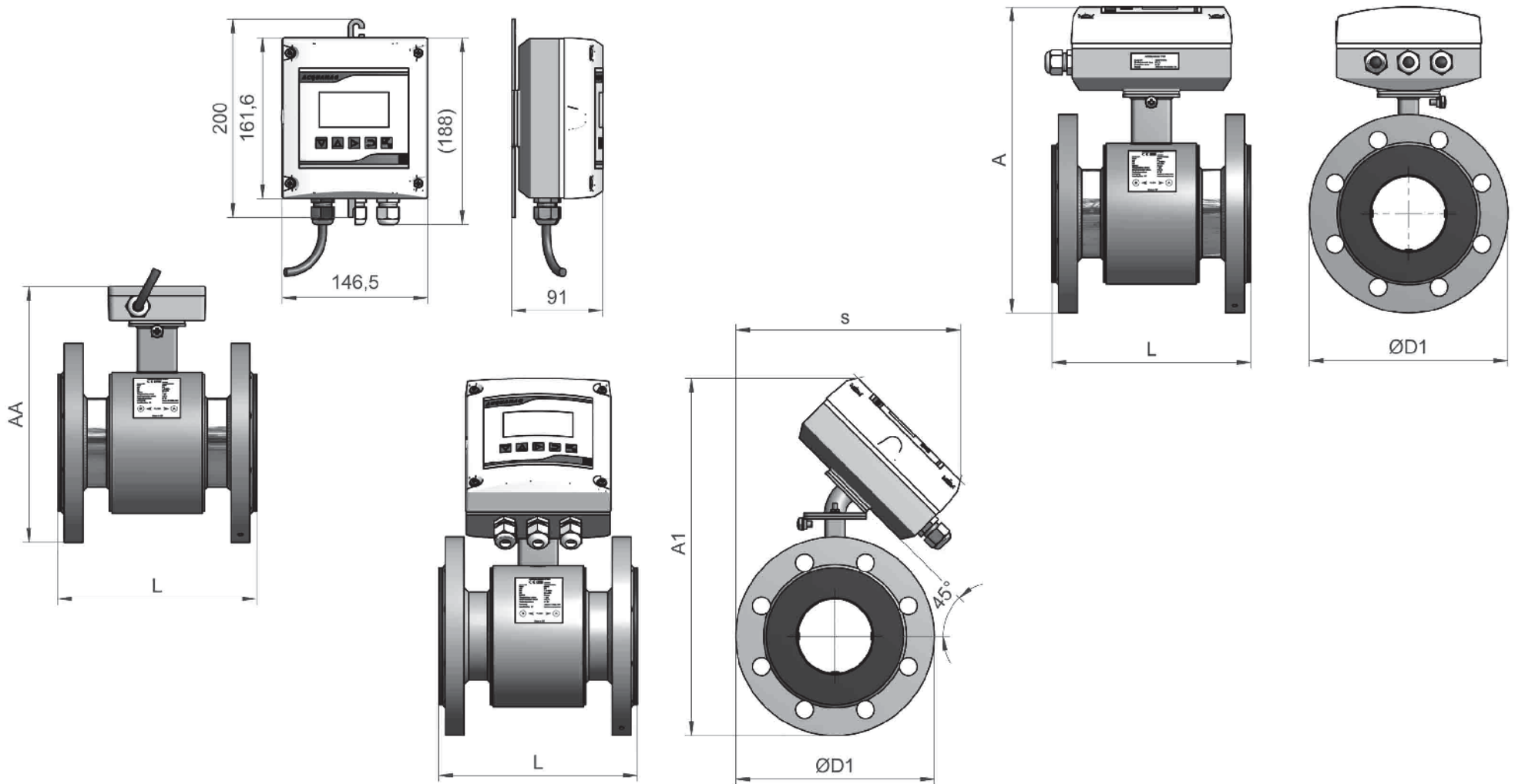


Nominal diameter	DN 15 through DN 1000
Nominal pressure	PN 10 through PN 16
Connection to tubing	Flanges EN, DIN, ANSI
Measuring tube lining	Rubber, PTFE
Sensing electrodes	AISI 316L stainless steel
Measurement error	OIML R 49 class 2
Range	Q3/Q1 = 250/160/100 Q2/Q1 = 1,6 Q4/Q3 = 1,25
Ambient temperature	0 through 50°C
Power supply	100 – 240 V AC (optionally 12 - 24V AC/DC)
Input power	10 VA max.
Outputs	2x passive, pulse, separated, programmable outputs, 50 ms/imp (NPN transistor, loading 30 V/50 mA max.) 1x active, current, programmable output (4-20 mA up to loading ≤ 500Ω) 1x RS232
Communication	RS232, keyboard, graphical, permanently illuminated display
Shielding	IP67

DN	R	Q1	Q2	Q3	Q4	Qmax
mm	Q3/Q1	m <sup>3</sup> /hr				l/s
15	<b>250</b>	0.0252	0.04	<b>6.3</b>	7.875	1.8
20	<b>250</b>	0.04	0.064	<b>10</b>	12.5	3.2
25	<b>250</b>	0.064	0.1	<b>16</b>	20	5
32	<b>250</b>	0.1	0.16	<b>25</b>	31.25	8
40	<b>250</b>	0.16	0.256	<b>40</b>	50	12.5
50	<b>250</b>	0.252	0.4	<b>63</b>	78.75	20
65	<b>250</b>	0.4	0.64	<b>100</b>	125	32
80	<b>250</b>	0.64	1.024	<b>160</b>	200	50
100	<b>250</b>	1	1.6	<b>250</b>	312.5	80
125	<b>250</b>	1.6	2.56	<b>400</b>	500	120
150	<b>250</b>	2.52	4.032	<b>630</b>	787.5	180
200	<b>250</b>	4	6.4	<b>1000</b>	1250	320
250	<b>160</b>	10	16	<b>1600</b>	2000	500
300	<b>160</b>	15.625	25	<b>2500</b>	3125	700
350	<b>160</b>	15.625	25	<b>2500</b>	3125	960
400	<b>160</b>	25	40	<b>4000</b>	5000	1250
500	<b>160</b>	39.375	63	<b>6300</b>	7875	2000
600	<b>160</b>	62.5	100	<b>10000</b>	12500	2800
700	<b>160</b>	62.5	100	<b>10000</b>	12500	3850
800	<b>100</b>	160	256	<b>16000</b>	20000	5000
900	<b>100</b>	160	256	<b>16000</b>	20000	6350
1000	<b>100</b>	250	400	<b>25000</b>	31250	7850



	PN 16													PN 10, PN 16			PN 10						
DN	15	20	25	32	40	50	65	80	100	125	150	200	250	300	350	400	500	600	700	800	900	1000	
L	165	165	200	200	200	200	200	200	250	250	300	350	450	500	500	600	600	800	800	1000	1000	1000	
A	216	221	231	249	259	274	294	309	319	359	389	445	525	578	638	693	815	938	1033	1130	1220	1335	
A1	267	272	282	300	310	325	345	360	370	410	440	496	576	629	689	744	866	989	1084	1181	1271	1386	
AA	163	168	178	196	206	221	241	256	266	306	336	392	472	525	585	640	762	885	980	1077	1167	1335	
s	174	179	184	196	201	209	219	226	236	251	269	296	329	356	386	416	484	546	581	639	689	739	
D1	95	105	115	140	150	165	185	200	220	250	285	340	405	460	520	580	715	840	910	1025	1125	1225	
(kg)	2	2	2	3	5	6	9	11	13	20	24	34	41	55	65	110	120	155	230	325	420	510	